

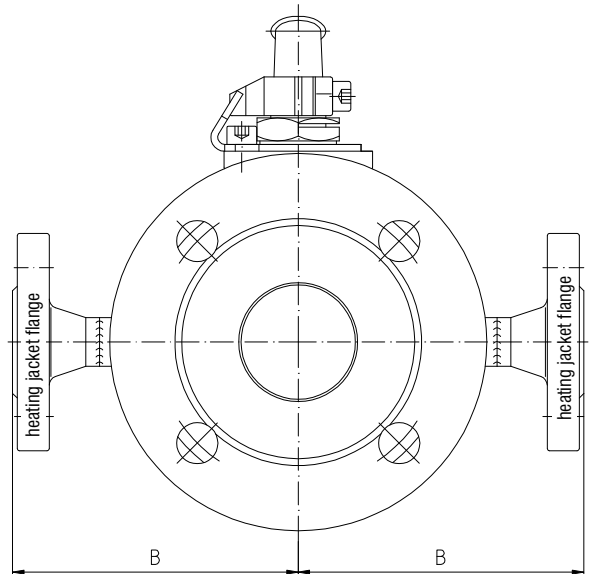
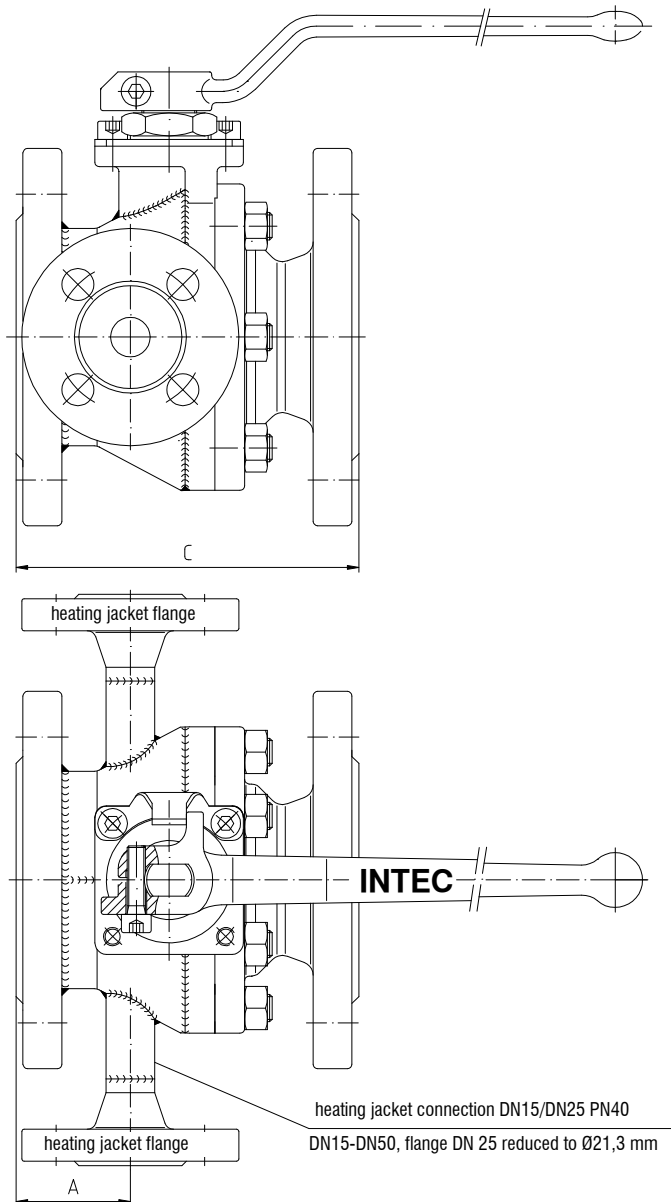
BALL VALVES INTEC

One-piece heating jacket PN25

Heating jacket with flanges acc. to EN 1092

Face to face acc. to EN 558, GR.1

Face to face acc. to EN 558, GR.27



Dimensions

DN	dimensions (mm)		GR.1 C	GR.27 C
	A	B		
15*	70	110	130	--
15	38	80	130	--
25 **	50	110	160	--
25 ***	70	110	160	--
40	60	115	200	140
50	60	125	230	150
65	55	150	290	170
80	80	150	310	180
100	70	160	350	190
150	90	195	480	350
200	90	350	600	400

* solid material construction

** body material 1.4408

*** body material 1.4571, 1.4462